

PRODUCT CODE: MHM1B
MALE HOOK

DESCRIPTION

20mm Male Hook

FINISH

Black Enamel

MATERIAL

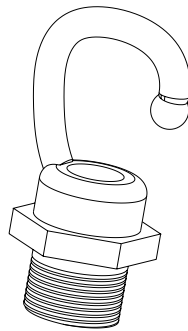
Malleable Iron

PACKAGING

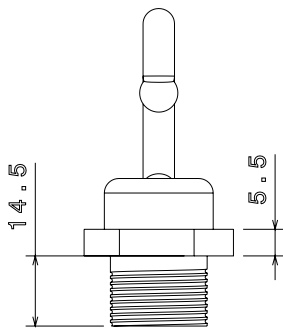
Packed in qty 50

ADDITIONAL NOTES

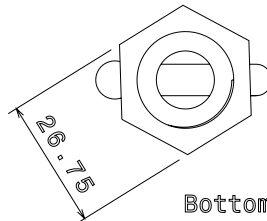
Conforms to BS EN61386-1
Compliant to LU Standard 1-085 (for use on surface & sub-surface locations)



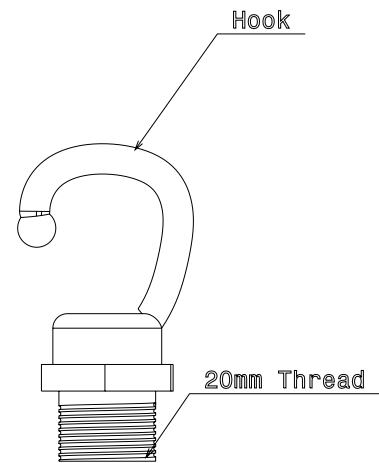
Isometric view



Front view



Bottom view



Side view